

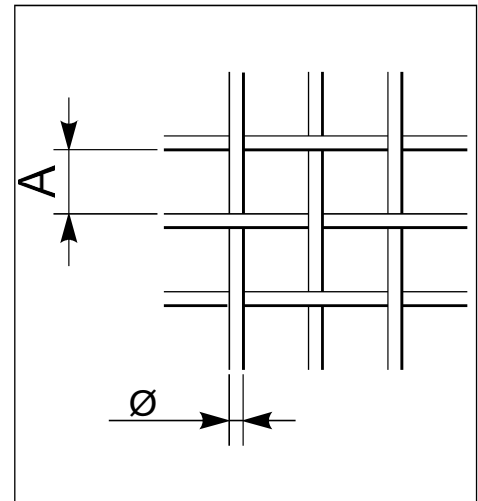
# ARAG Filters

Size	Filter Body	Cartridge Only	Body and Cartridge
3/4"	132.00	156.00	288.00
1"	130.00	172.00	302.00
1 1/4"	299.00	290.00	589.00
1 1/2"	347.00	288.00	635.00
2"	1505.00	497.00	2002.00
3"	2350.00	977.00	3327.00

## Specifications

For an easier choice of the most suitable filtering element, refer to the following table showing the different characteristics and the relevant colour code.

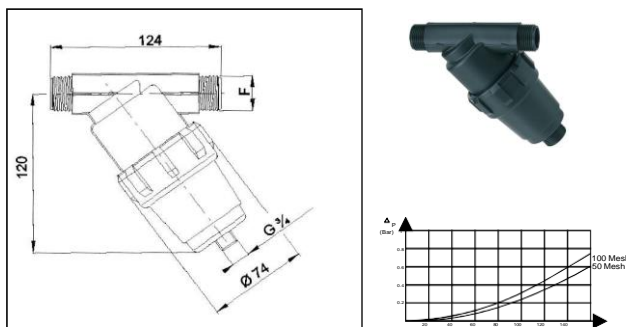
- Mesh = wire / inch (25.4mm)
- A = mesh opening
- ∅ = wire diameter
- S = percentage ratio between mesh opening surface and mesh total surface



Mesh	A (microns)	S (%)	∅ (microns)	Material	Colour
50	365	50.8	140	Stainless	Blue
80	209	46.3	100	Stainless	Yellow
100	173	46.4	80	Stainless	Green
120	134	43	70	Polyester/Stainless	Grey

## 3/4" In - Line Filter, Series 323

Pressure line polypropylene filter external thread.

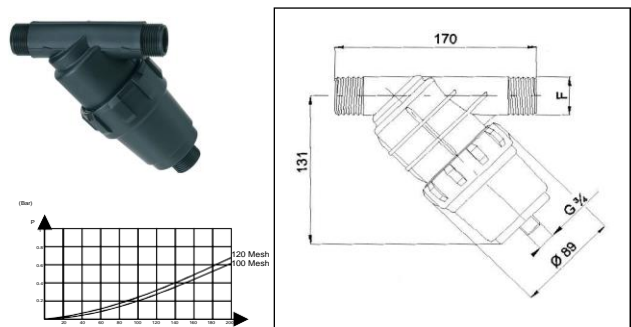


Code	Screen	Effective area	
		cm <sup>2</sup>	sq. in.
323 333	Stainless 50 mesh	37	5.8
323 334	Stainless 100 mesh	34	5.3
323 335	Polyamm. 120 mesh	33	5.1

Max. Working pressure		12 bar
Cartridge (100 mesh)	Diameter	38mm
	Length	125mm
	Area	73cm <sup>2</sup>
	Effective Area	34cm <sup>2</sup>

## 1" In - Line Filter, Series 325

Pressure line polypropylene filter external thread.

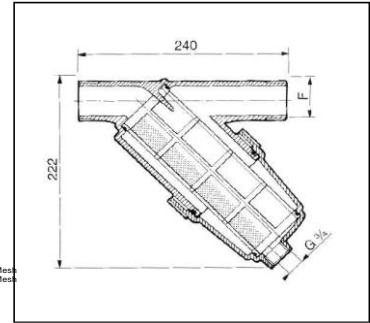
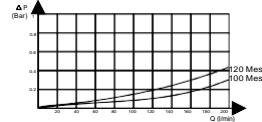
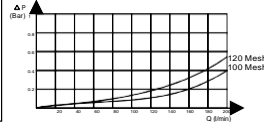
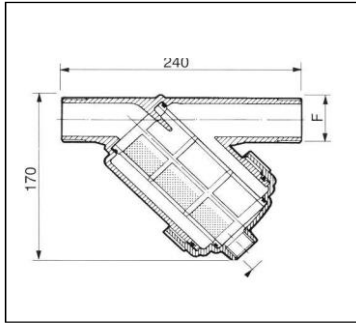


Code	Screen	Effective area	
		cm <sup>2</sup>	sq. in.
325 143	Stainless 50 mesh	57	8.9
325 1435	Stainless 80 mesh	63	9.8
325 144	Stainless 100 mesh	52	8.1
325 145	Polyamm. 120 mesh	51	8.0

Max. Working pressure		10 bar
Cartridge (100 mesh)	Diameter	50mm
	Length	150mm
	Area	113cm <sup>2</sup>
	Effective Area	52.5cm <sup>2</sup>

## 1.1/4" In - Line Filter, Series 327

Pressure line polypropylene filter external thread.



Code	Screen	Effective area	
		cm <sup>2</sup>	sq. in.
327 053	Stainless 50 mesh	100	15.4
327 0535	Stainless 80 mesh	109	16.9
327 054	Stainless 100 mesh	91	14.1
327 055	Polyamm. 120 mesh	89	13.8

Code	Screen	Effective area	
		cm <sup>2</sup>	sq. in.
329 063	Stainless 50 mesh	148	22.9
329 0635	Stainless 80 mesh	162	25.1
329 064	Stainless 100 mesh	135	20.9
329 065	Polyamm. 120 mesh	132	20.5

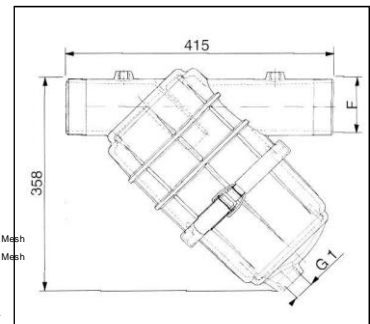
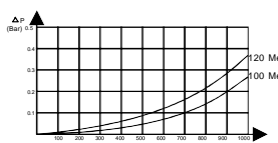
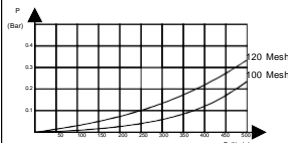
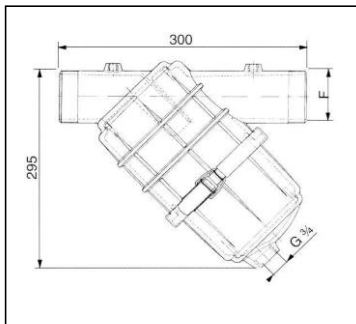
Max. Working pressure		10 bar
Cartridge (100 mesh)	Diameter	70mm
	Length	148mm"
	Area	196cm <sup>2</sup>
	Effective Area	91cm <sup>2</sup>

Max. Working pressure		10 bar
Cartridge (100 mesh)	Diameter	70mm
	Length	220mm
	Area	291cm <sup>2</sup>
	Effective Area	135cm <sup>2</sup>

Page 1

## 2" In - Line Filter, Series 333

In - line 800 l/min high rate filter used for irrigation, spraying and weeding.



## 3" In - Line Filter, Series 335

In - line 800 l/min high rate filter used for irrigation, spraying and weeding.

Code	Screen	Effective area	
		cm <sup>2</sup>	sq. in.
333 073	Stainless 50 mesh	270	41.8
333 0735	Stainless 80 mesh	296	45.8
333 074	Stainless 100 mesh	246	38.2
333 175	Polyamm. 120 mesh	318	49.0

Code	Screen	Effective area	
		cm <sup>2</sup>	sq. in.
335 093	Stainless 50 mesh	464	71.6
335 0935	Stainless 80 mesh	509	78.8
335 094	Stainless 100 mesh	424	65.7
335 195	Polyamm. 120 mesh	516	80.3

Max. Working pressure		8 bar
Cartridge (100 mesh)	Diameter	107mm
	Length	286mm
	Area	531cm <sup>2</sup>
	Effective Area	247cm <sup>2</sup>

Max. Working pressure		8 bar
Cartridge (100 mesh)	Diameter	145mm
	Length	320mm
	Area	913cm <sup>2</sup>
	Effective Area	247cm <sup>2</sup>

Page 2